

monty 3550

monty 3550 AIR

Spare parts list

Electric-pneumatic / pneumatic tire changer
for car, ATV/Motor Scooter and motorcycle tires

Liste des pièces détachées

Démonte-pneus
électro-pneumatique / pneumatique
pour roues de voitures,
ATV/Moto Scooter et motocyclettes

HOFMANN®



USA – CANADA

(BLANK PAGE)

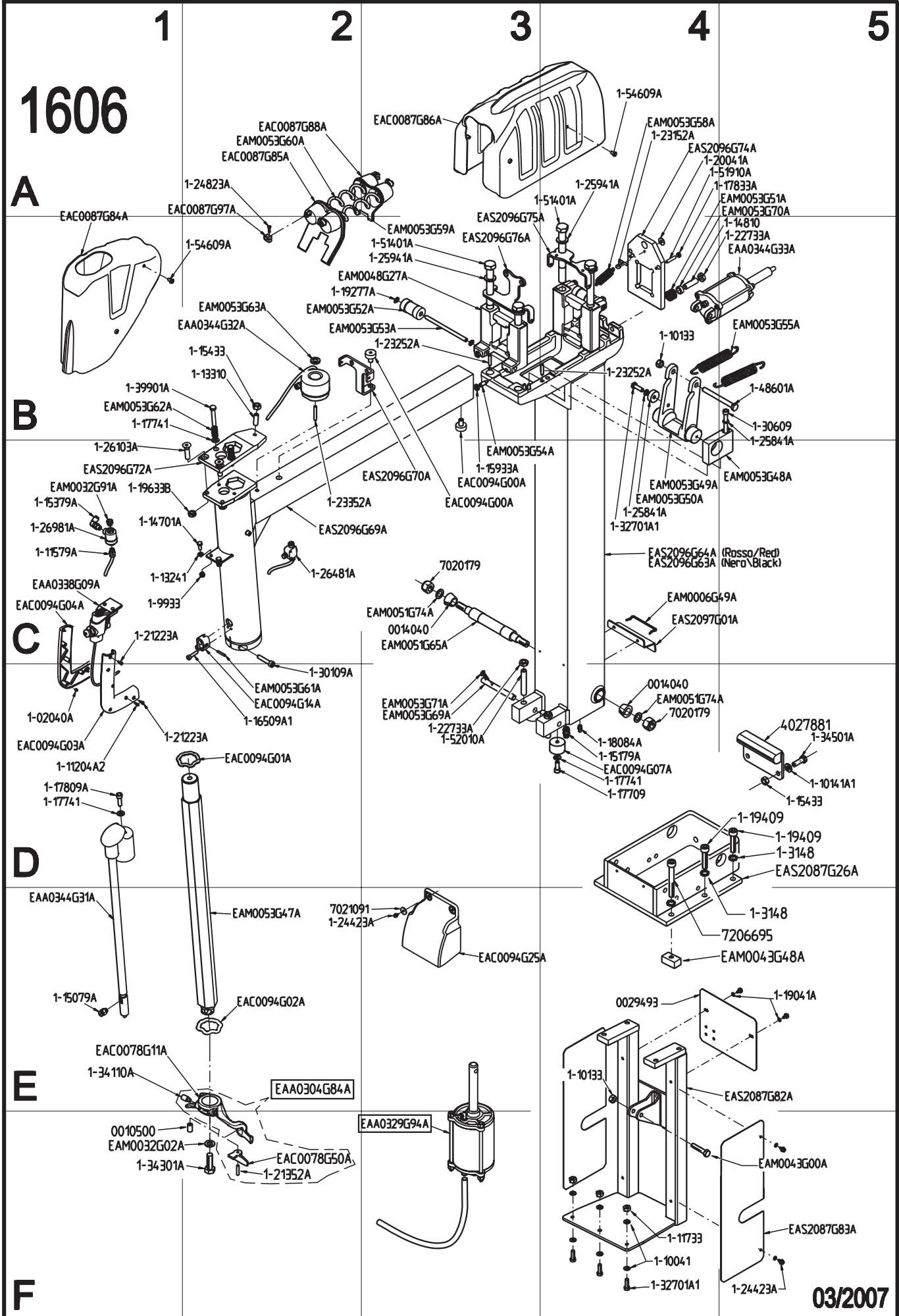


THIS PART IS FOR EXCLUSIVE USE
OF QUALIFIED PERSONNEL FOR
MAINTENANCE AND SERVICE
PURPOSES.

CETTE PARTIE EST RESERVEE AU
PERSONNEL QUALIFIE ET
AUTORISE A LA MAINTENANCE ET
AU SERVICE APRES-VENTE.

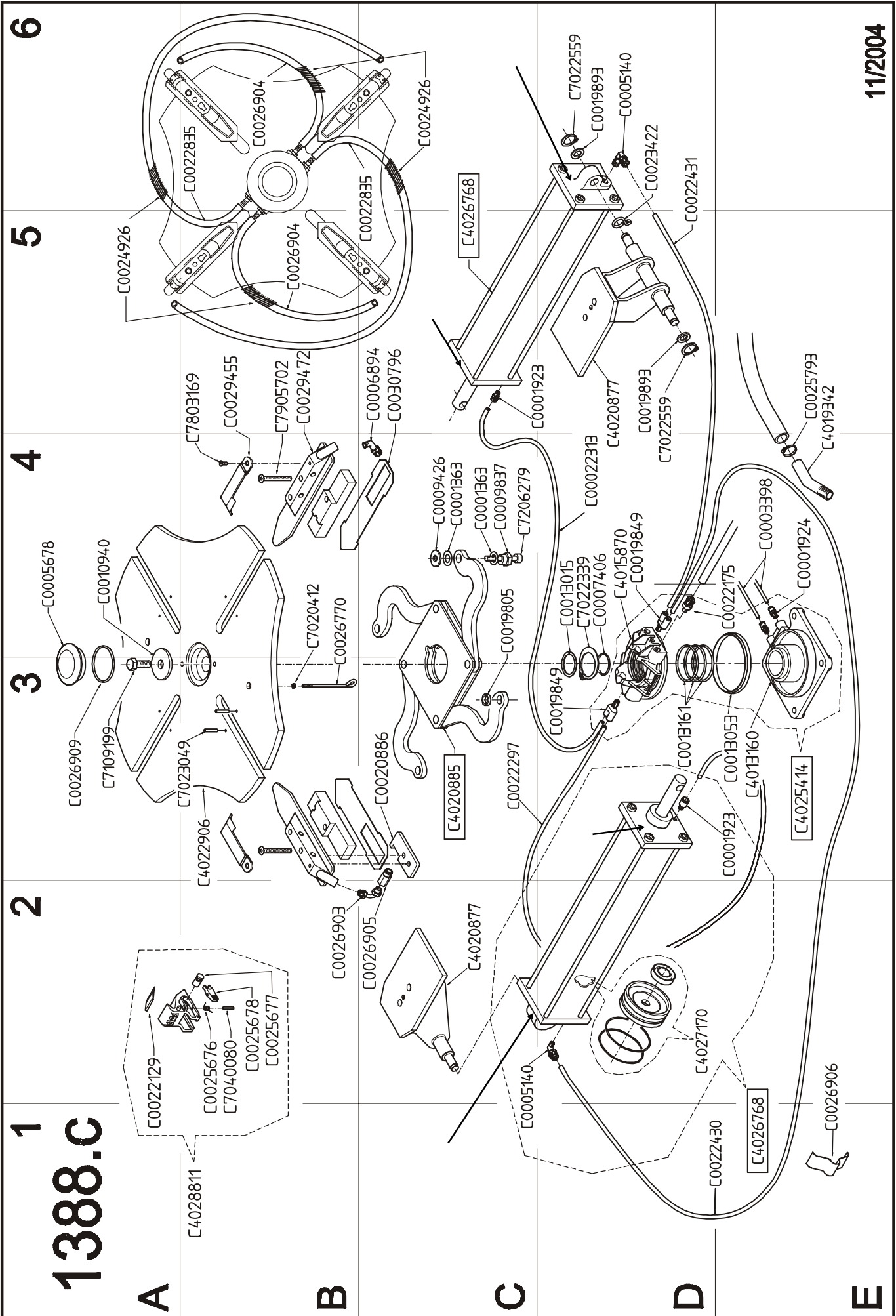
- **On order specify:** type of machine and serial number item code and quantity.
- **A la commande:** bien préciser le type de la machine, le n° de serie, la référence de pièce, la quantité.

1606

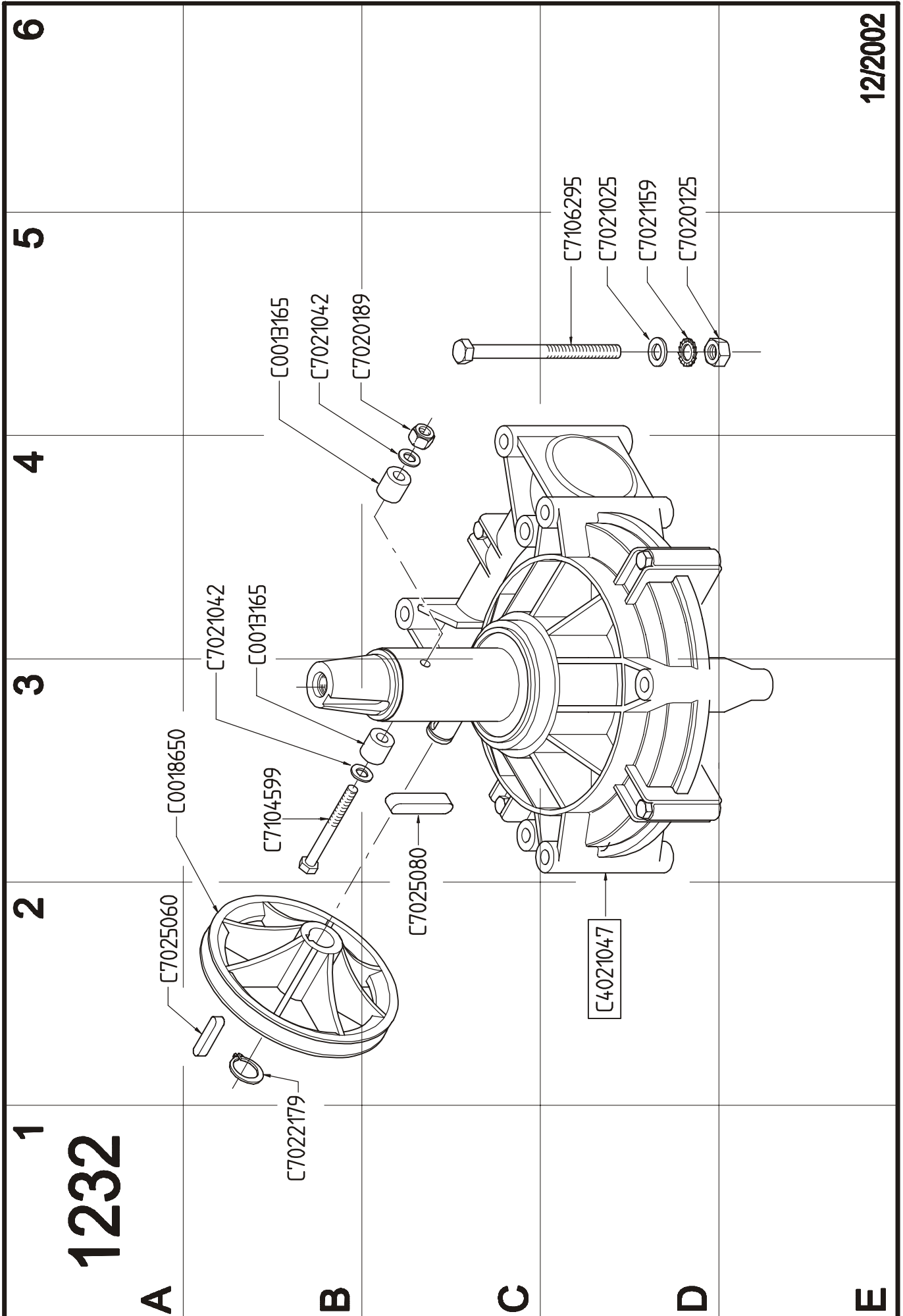


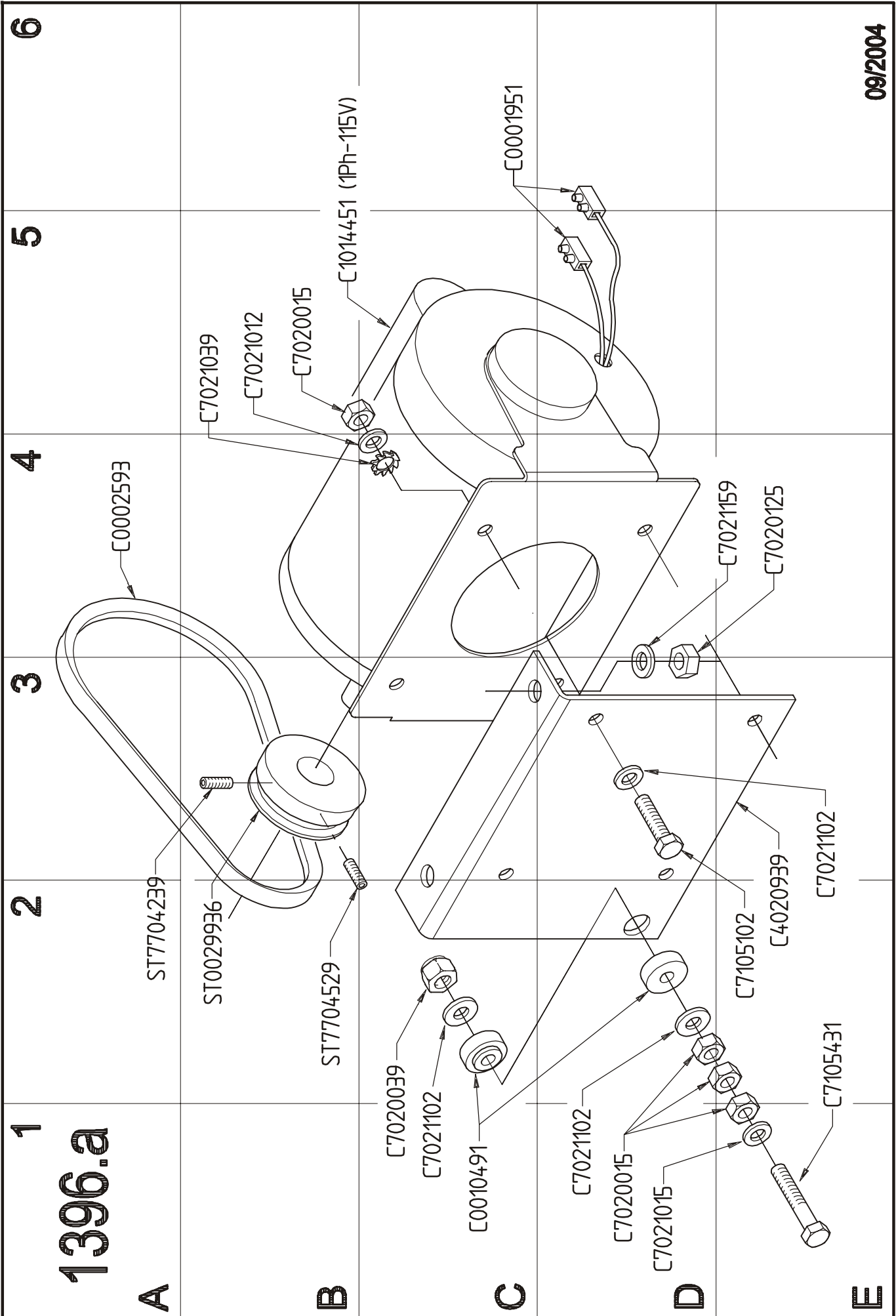
03/2007

16899A-1-May-07



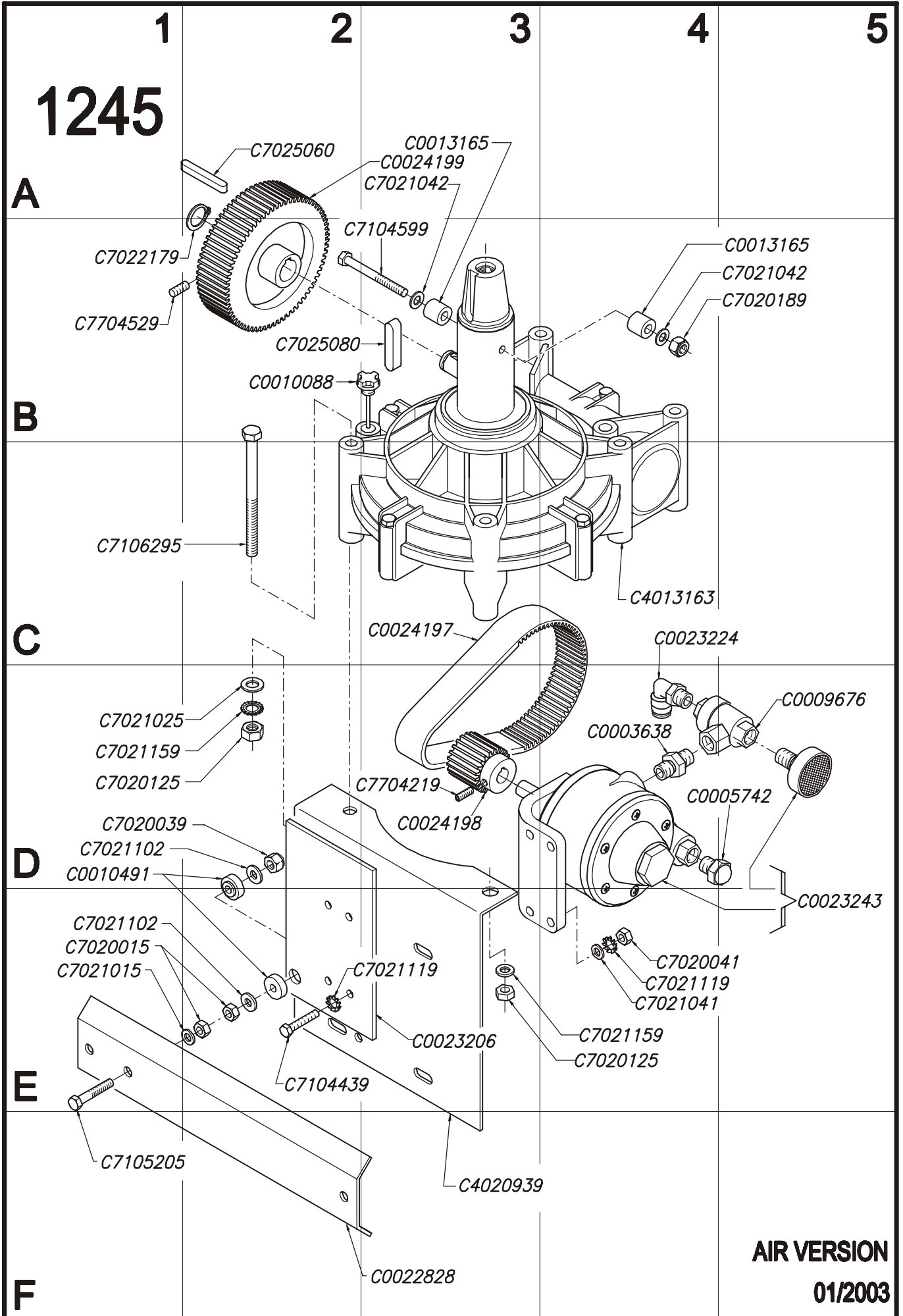
11/2004





09/2004

1245



AIR VERSION
01/2003



6

5

4

3

2

1

AIR VERSION
C4027820
01/2003

1254

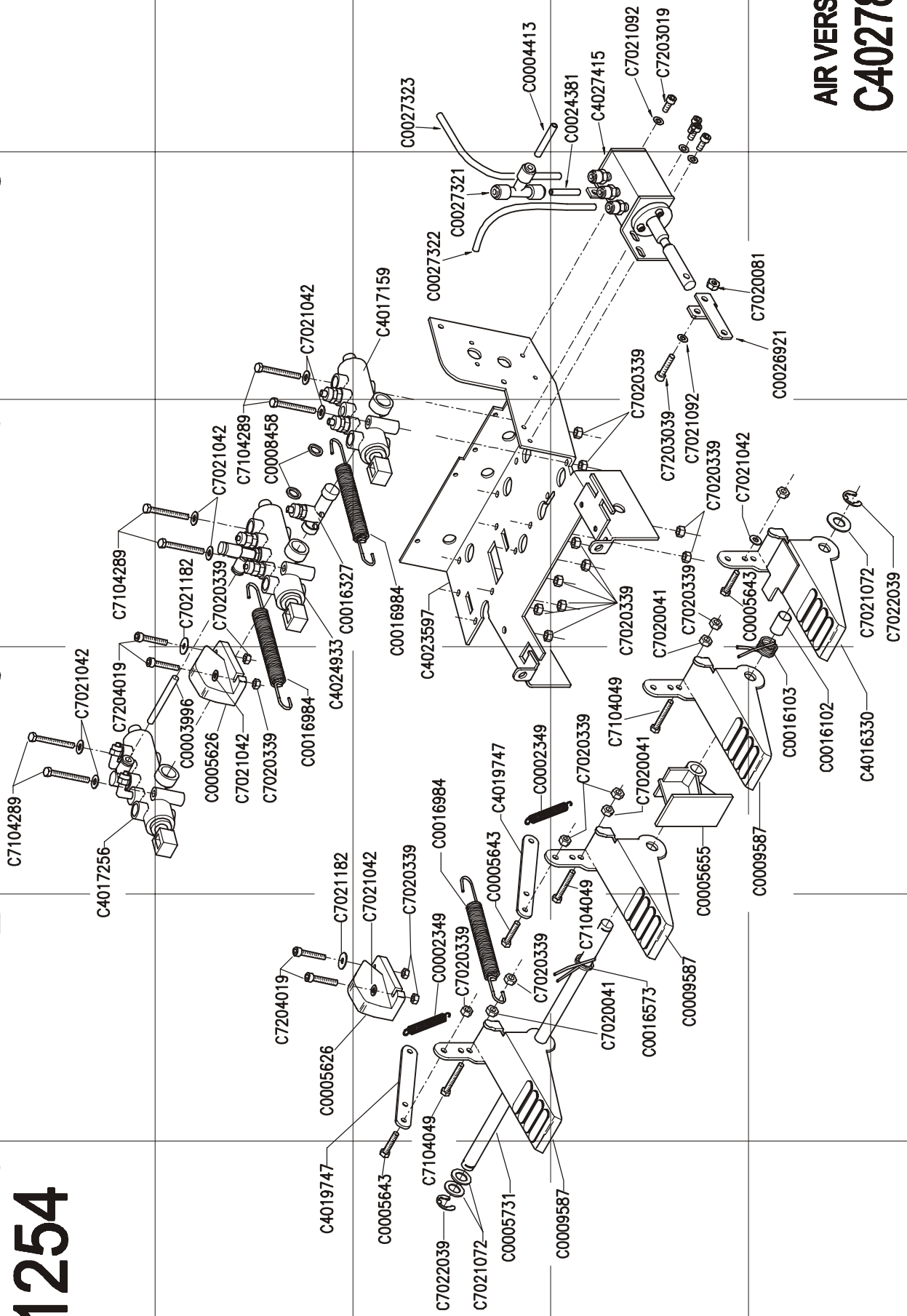
A

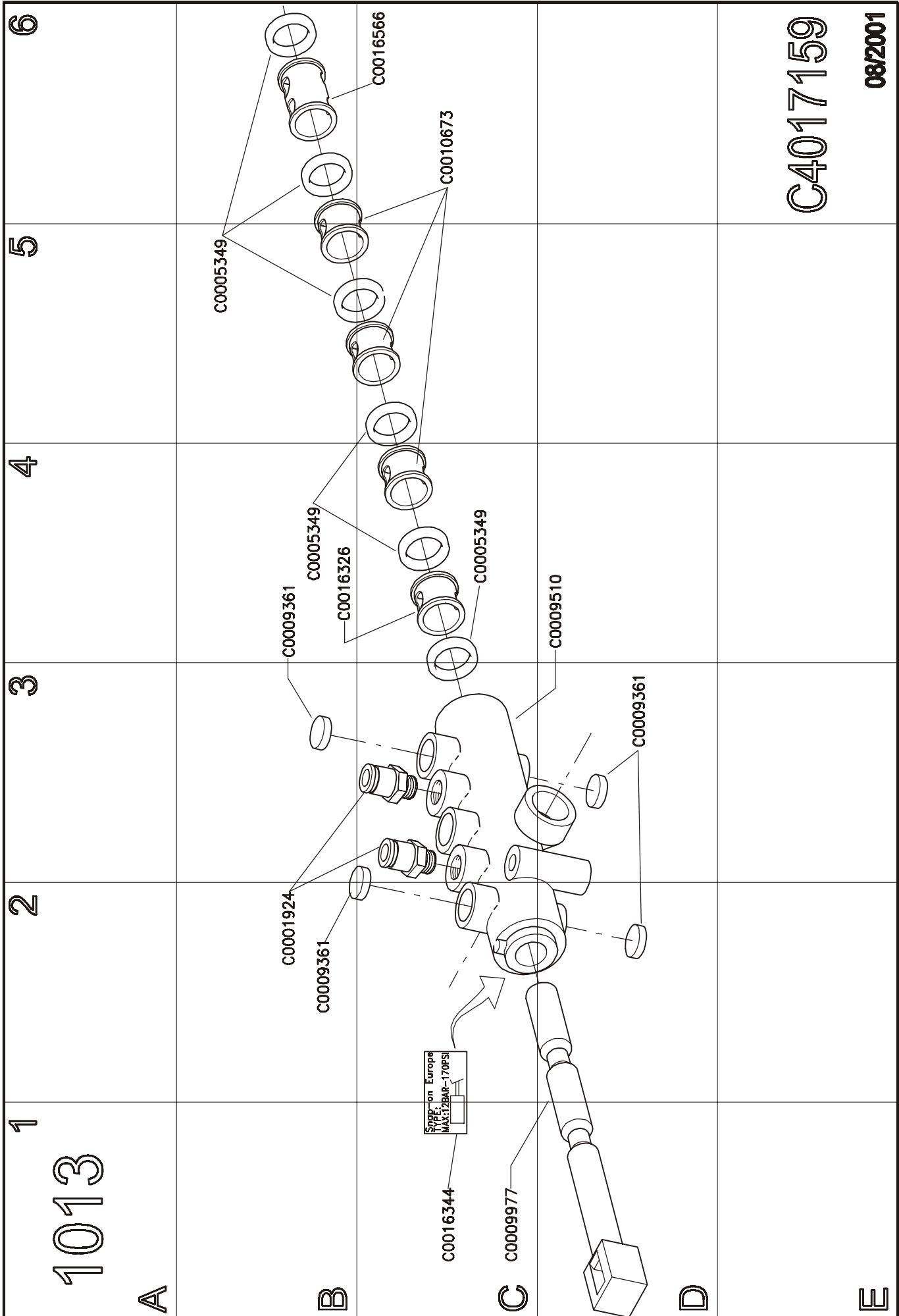
B

C

D

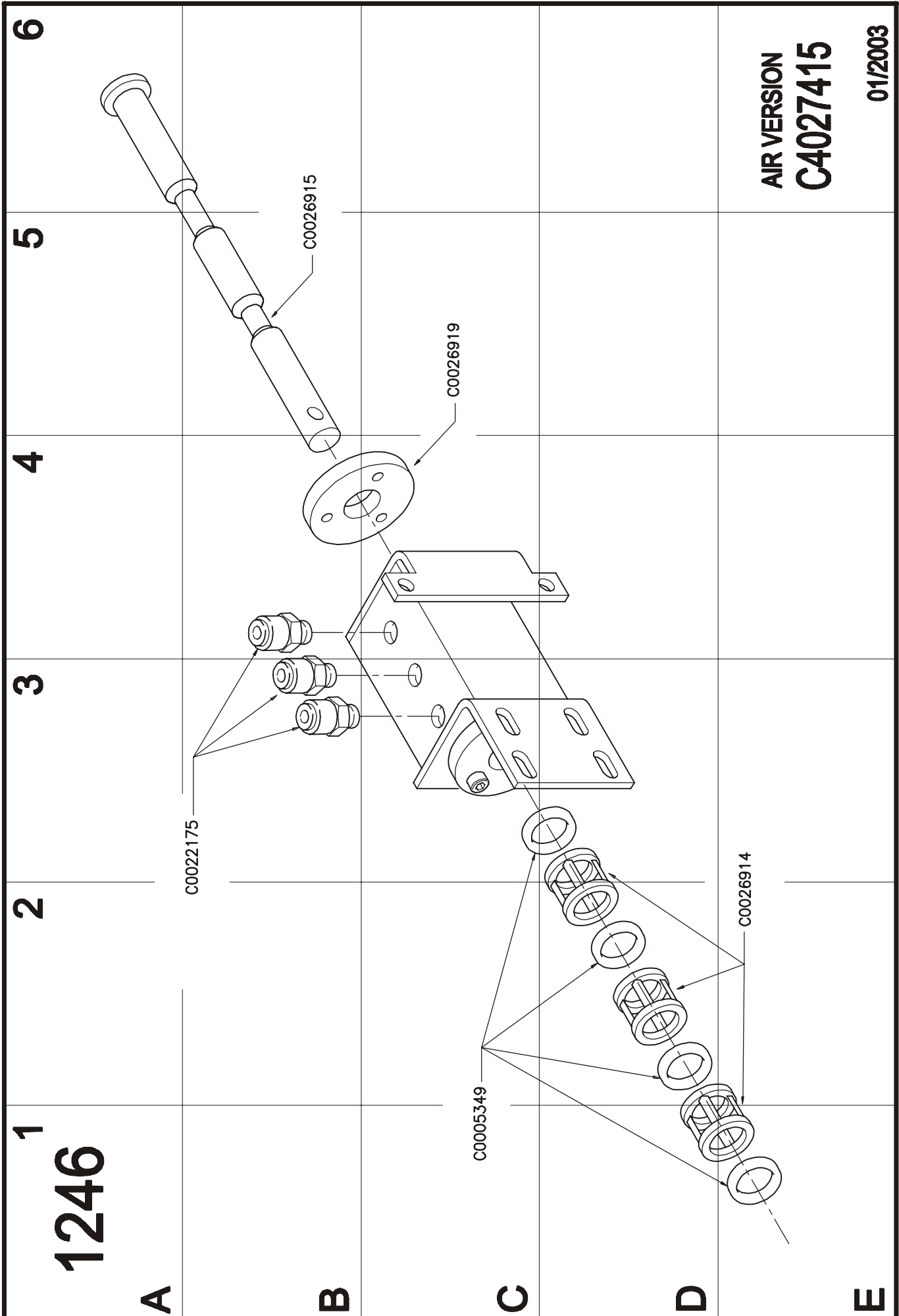
E





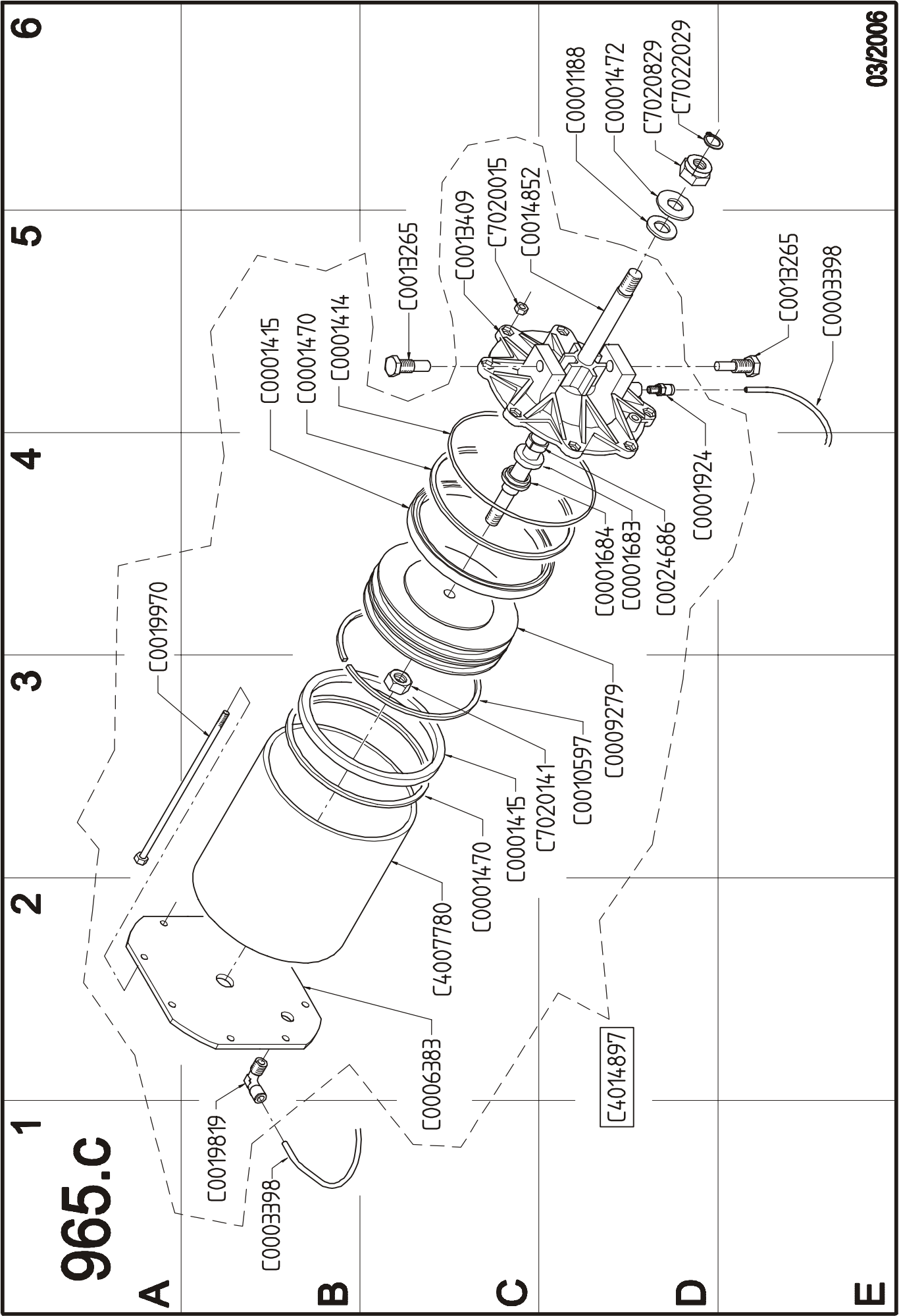
C4017159

08/2001



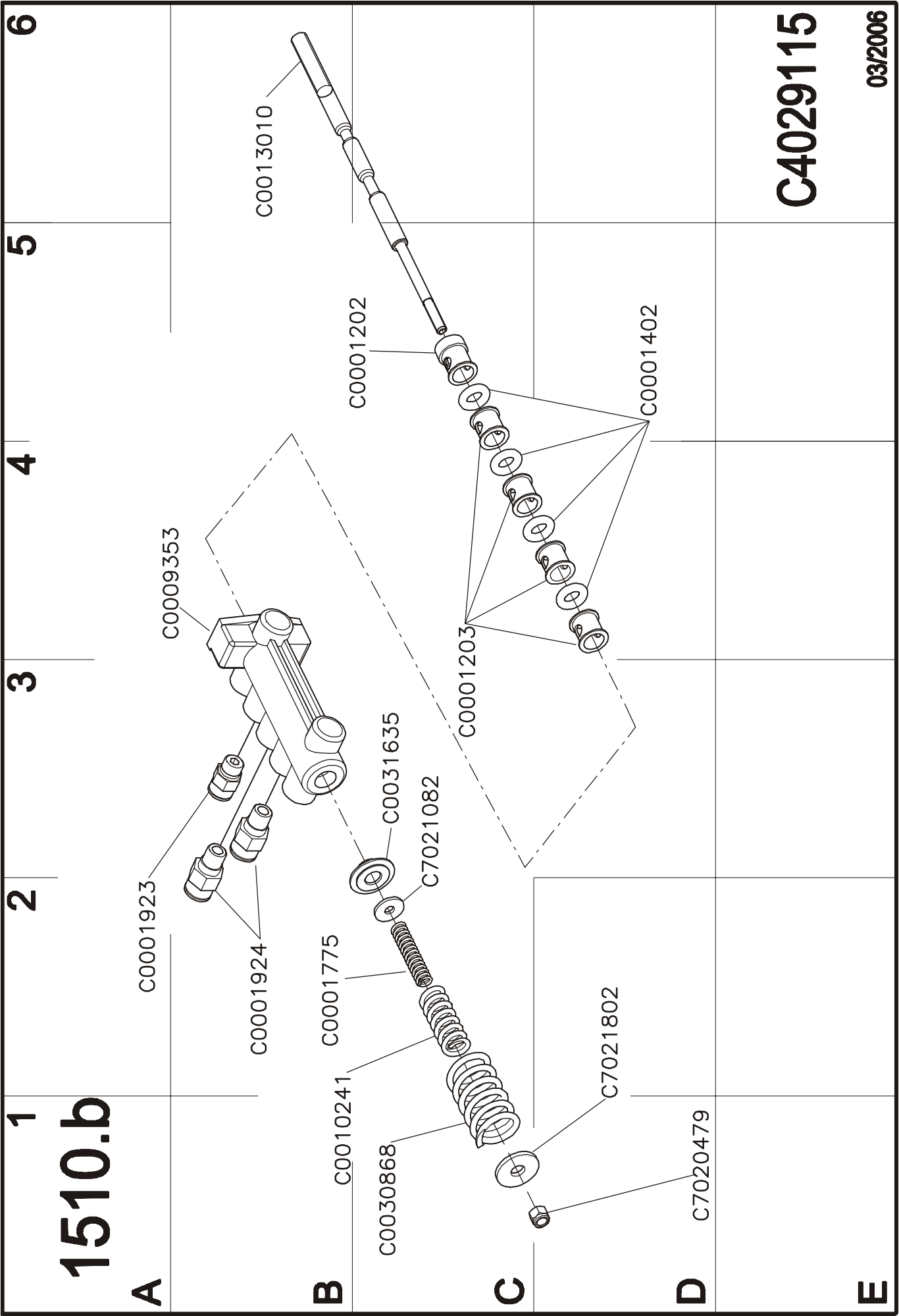
AIR VERSION
C4027415

01/2003



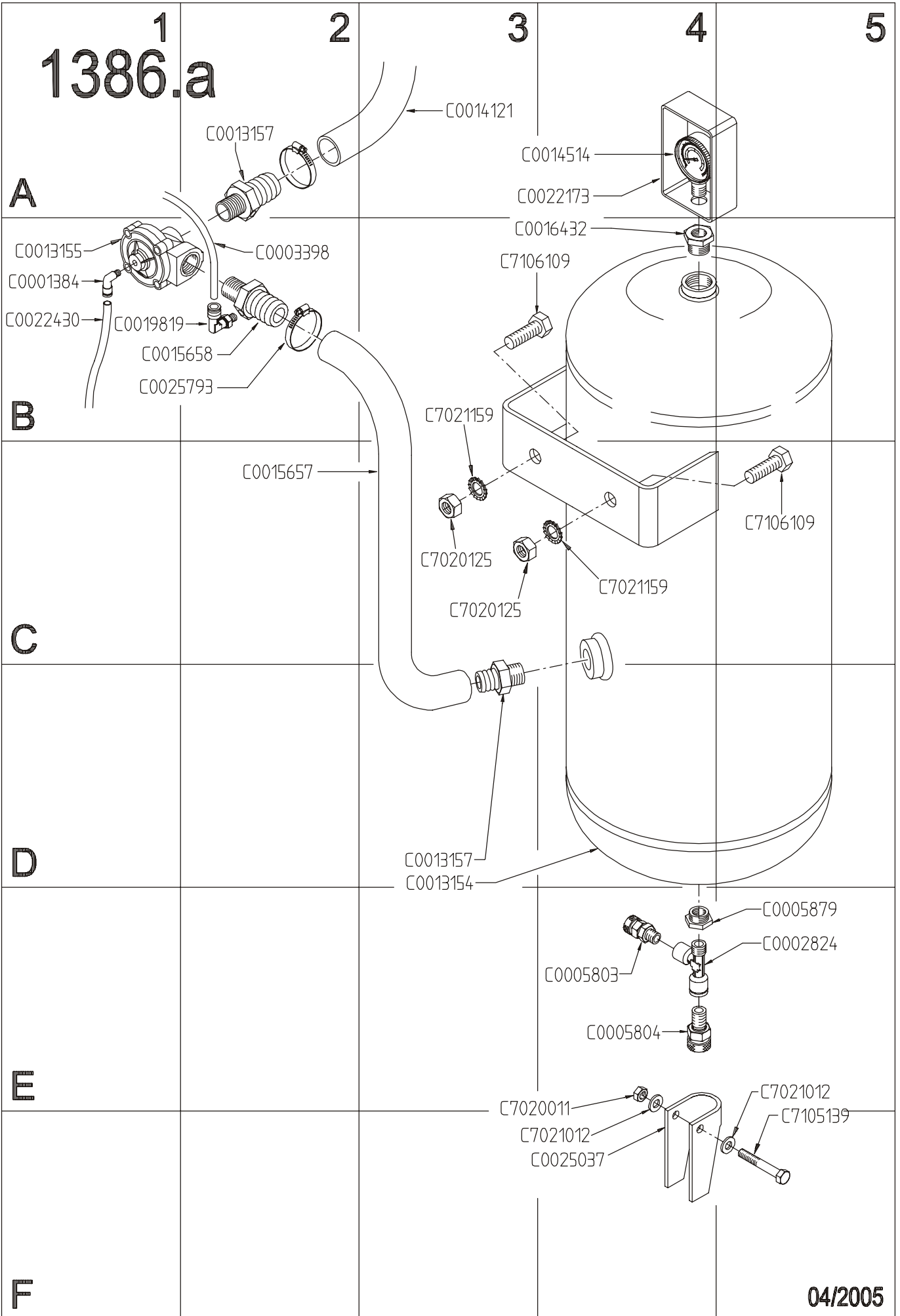
03/2006

16878NA-I-May-07



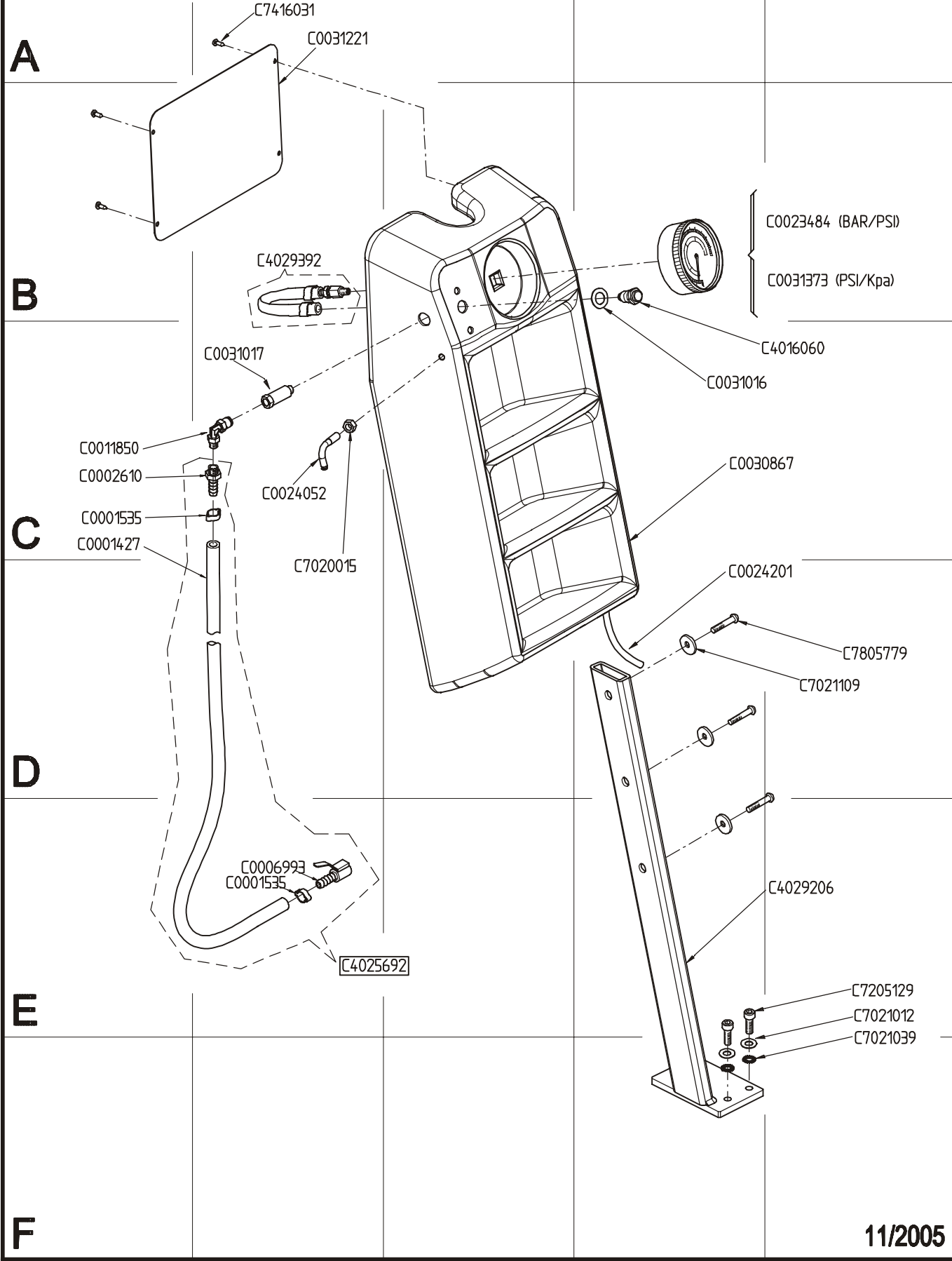
C4029115

03/2006



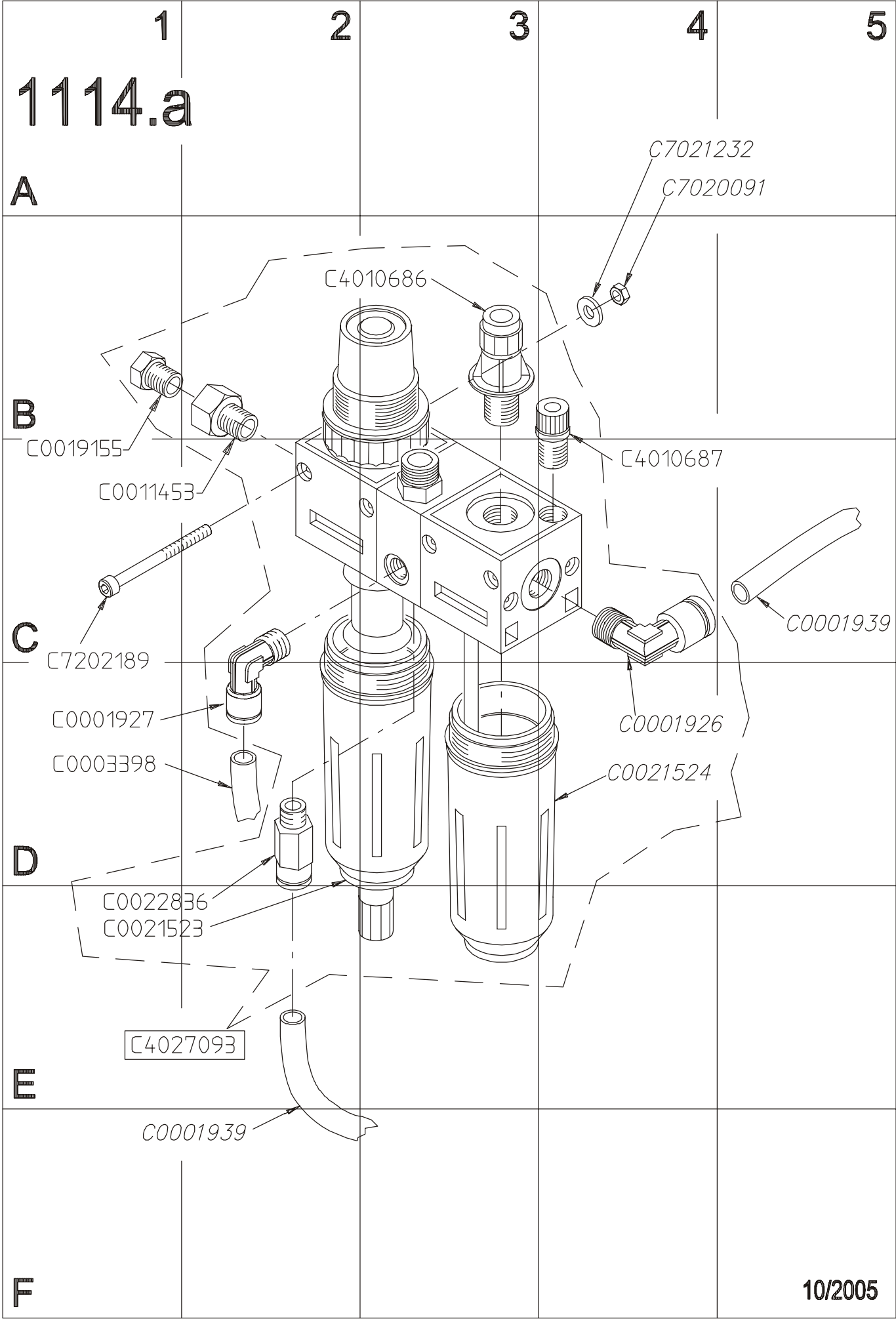
1 2 3 4 5

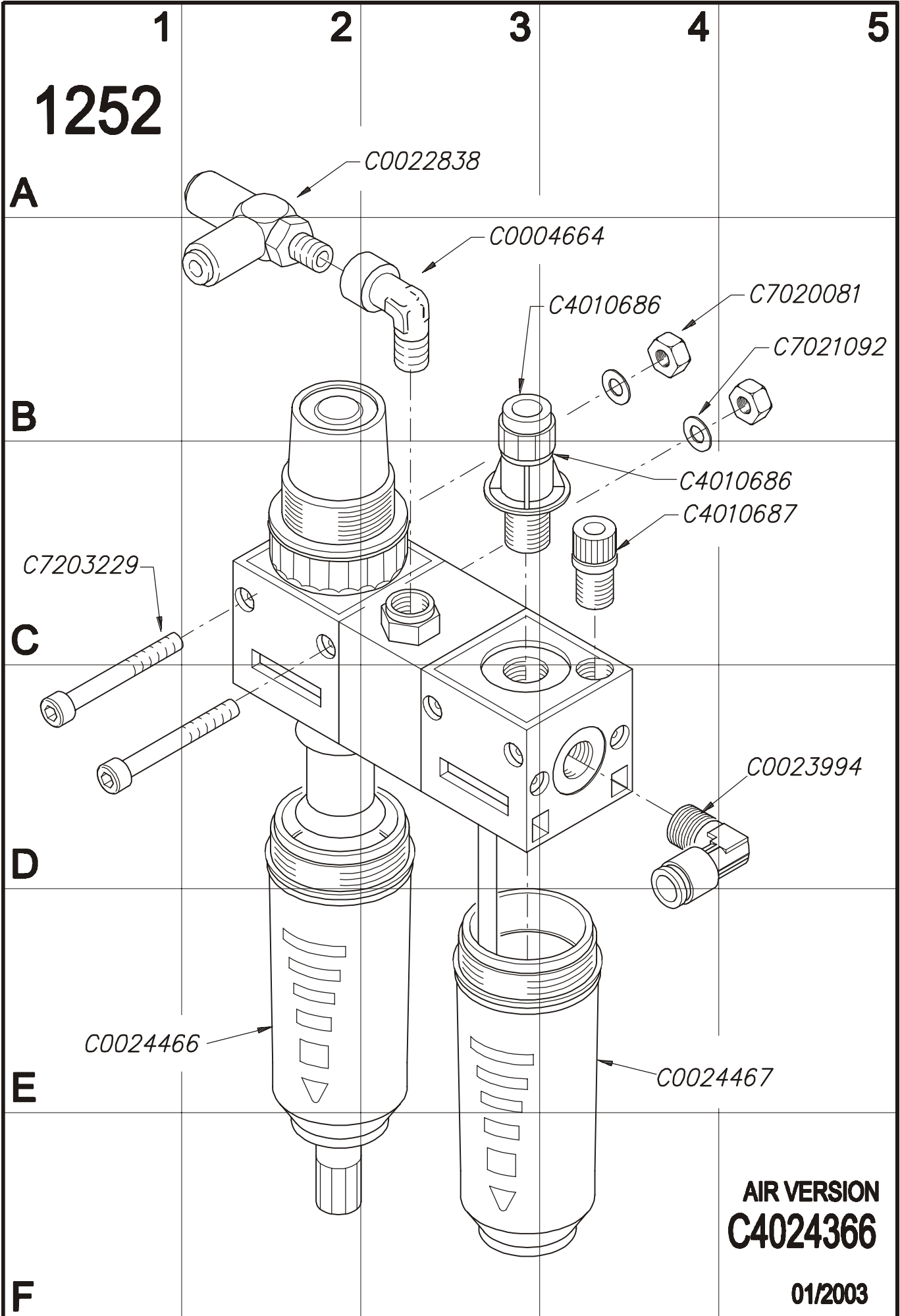
1514.b



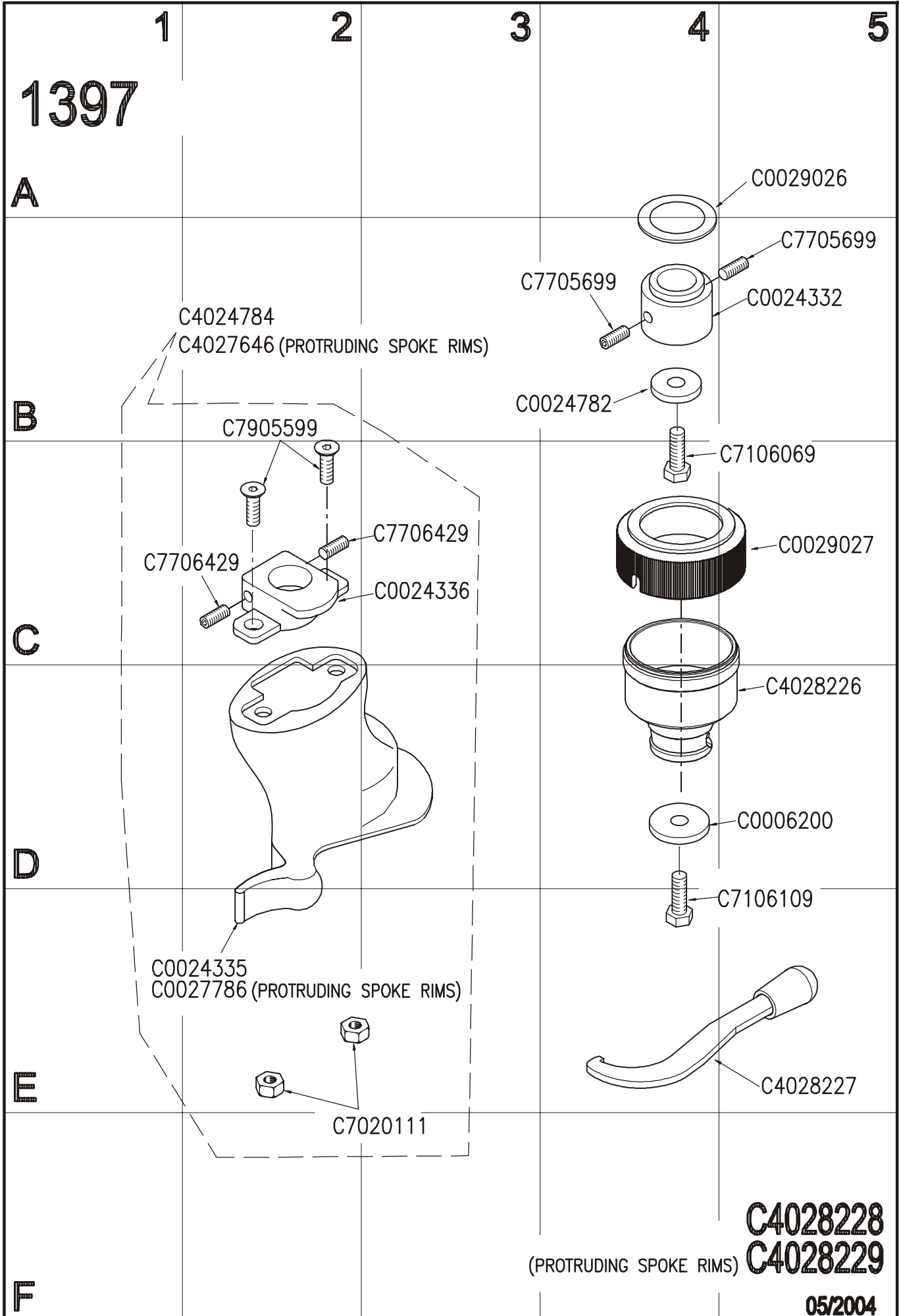
16878NA-1-May-07

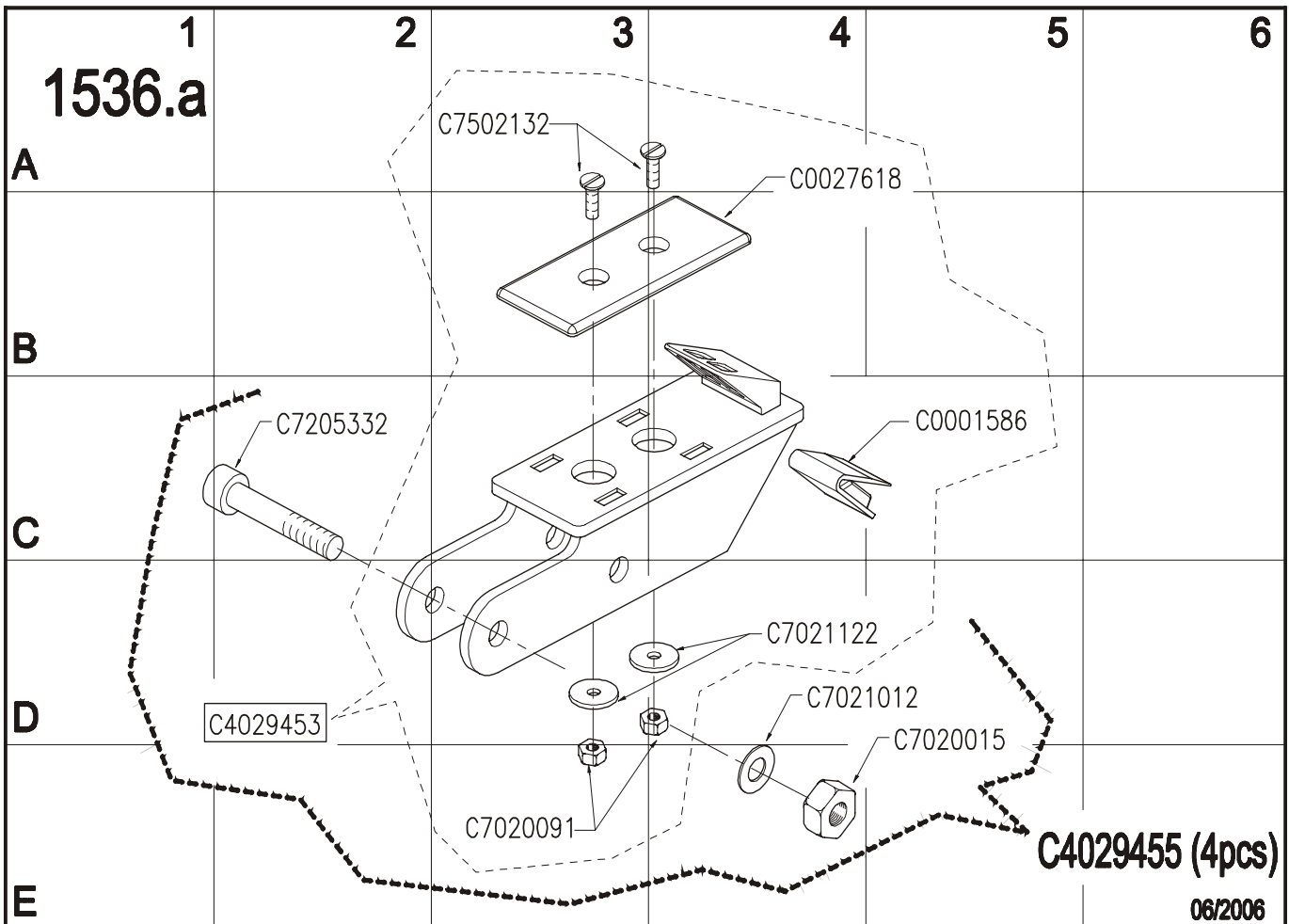
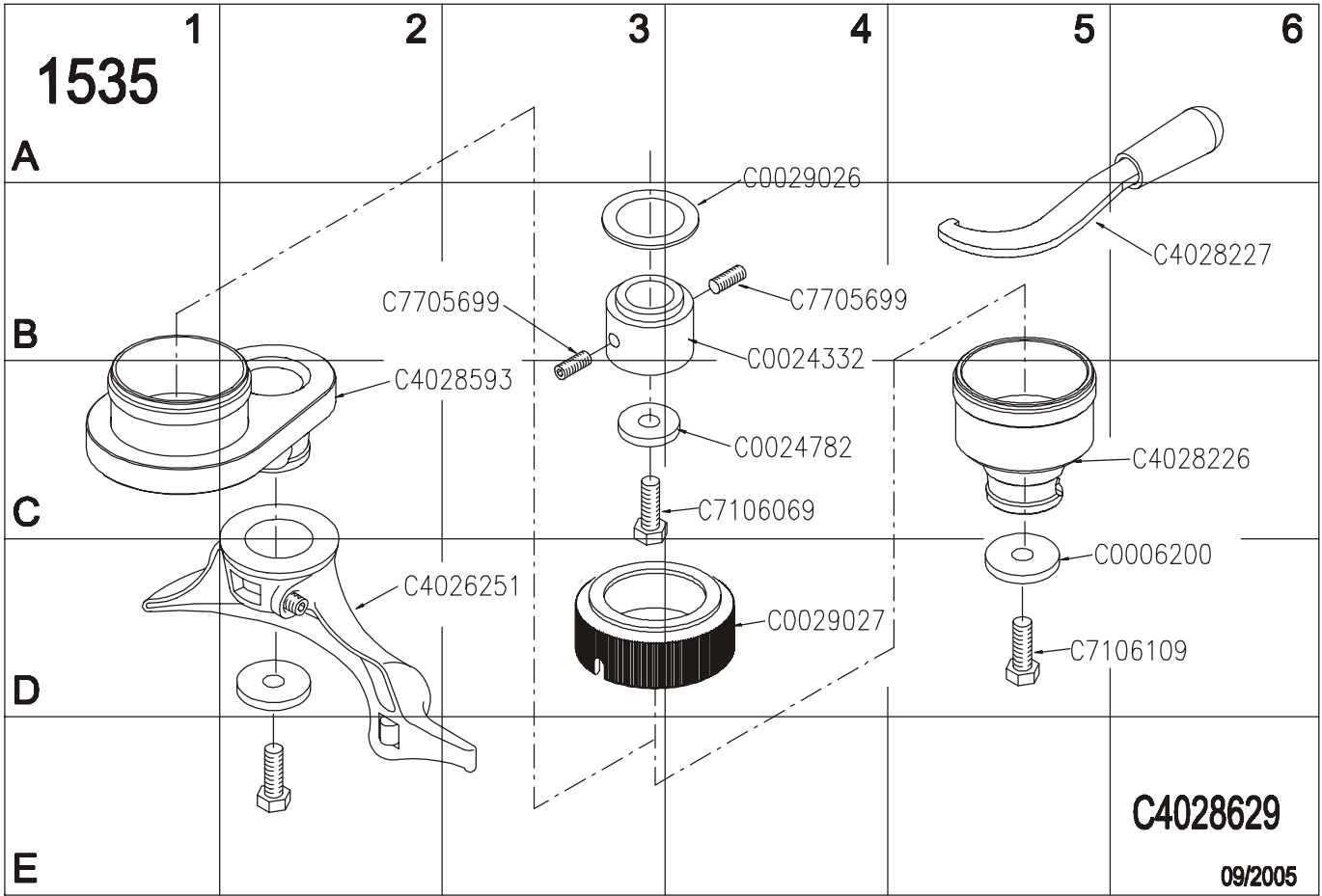
11/2005





168^{HNA}-1-May-07





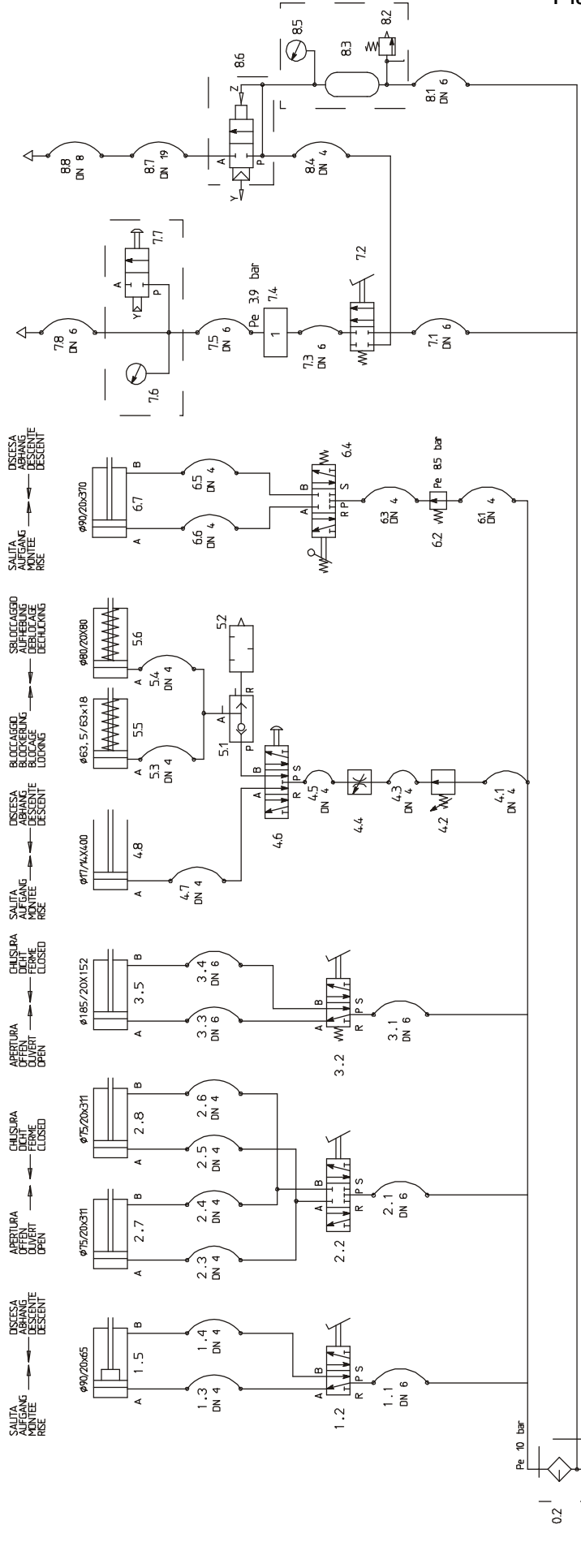
I6878NA-1-May-07

Pneumatic Diagram

Plan Pneumatique

0030402

- 0 + REDUTTORE
+ FILTER
+ REDUKTOR
+ REDUCTEUR
+ REDUCER
- 1 DISCESA
ASCENDING
DESCENT
- 2 APERTURA
UPPER
OPEN
- 3 CHIUSURA
LOWER
CLOSED
- 4 POSIZIONE
VERZICELLSSTELLUNG
POSITION DE
TOOL POSITIONING
- 5 BLOCCAGGIO BRACCIO
BLOCCERING
BLOCAGE BRAS
ARM LOCKING
- 6 ATTREZZO SMONTAGGIO (M)
DEBLOCKING TOOL (M)
OUTIL POUR DEBLOQUER (M)
DEBLOQUAGE Z 67
- 7 RINZA GONFIAGGIO
FILLUPSTOLE
RISTOILET DE GONFLAGE
THE GAUGE
- 8 GONFIATUBLESS
SCHLAUCHLOSLLVORRICHTUNG
CONFLAGE TUBELLESS
BEAD SEATER



(BLANK PAGE)

From 2004 June 08 this document is corrected on page 43 with the new table "1387.a".

From 2004 June 16 this document is completed on page 66 with the Pneumatic Diagram.

From 2004 August 25 this document is corrected on page 45 with the new table "1388.a".

From December 2004 this document is corrected on page 20, picture 3.0-4 and relevant text has been replaced. Other correction from page 43 with the new table "1443.b" instead of "1384.a"; "1444.a" instead of "1387.b"; "1388.b" instead of "1388.c"; "1396.a" instead of "1396"; "965.a" instead of "1005"; "1399.a" instead of "1399".

From July 2005 this document is completed with +4 jaw and tool extension kit instructions, from page 16 to page 21.

In Spare Parts section, some new tables are present as listed below:

965.b instead of 965.a; 1386.a instead of 1386; 1443.c instead of 1443.b; 1444.c instead of 1444.b; 1508 instead of 1119.a; 1510 instead of 1026; 1514 instead of 1398.

Tables added from this revision: 1535 & 1536.

The tables 1385 and 1399.a has been replaced by the extra document TEAA0329G33A3 (MH 310/320 PRO).

MODIFIED / CHANGED PARTS Regarding Revision D of September 2005									
List of updated tables from this revision:									
REMOVED:	1443.b	1444.a	965.a	1119.a	1026	1386	1398	=	=
APPLIED:	1443.c	1444.c	965.b	1508	1510	1386.a	1514	1535	1536
REMOVED:	1385		1399.a						
APPLIED:	Replaced by extra doc.: TEAA0329G33A3 (MH 310/320 PRO)								

MODIFIED / CHANGED PARTS Regarding Revision E of March 2006						
List of updated tables from this revision:						
REMOVED:	1443.c	1388.c	1508	1510	1514.a	1114
APPLIED:	1443.d	1388.c	1508.a	1510.a	1514.b	1114.a
PCN n°:	-	-	05G0188	06G0023	05G0170	-
NOTE:	On Table 1388.c a forgotten code has been added					

MODIFIED / CHANGED PARTS Regarding Revision F of July 2006					
List of updated tables from this revision:					
REMOVED:	965.b	1510.a	1508.a	1536	1443.d
APPLIED:	965.c	1510.b	1508.b	1536.a	1443.e
PCN n°:	06G0030	06G0031	06G0031	06G0081	06G0071

MODIFIED / CHANGED PARTS Regarding Revision G of September 2006			
List of updated tables from this revision:			
REMOVED:	1444.c	1443.e	
APPLIED:	1444.d	1443.f	
PCN n°:	06G0093	06G0113	

MODIFIED / CHANGED PARTS Regarding Revision G1 of October 2006	
List of updated tables from this revision:	
REMOVED:	
APPLIED:	1444.d
PCN n°:	Uncorrected code replaced

16818NA-1-May-07

MODIFIED / CHANGED PARTS Regarding **Revision H** of April 2007

List of updated tables from this revision:

REMOVED:	1443.f
APPLIED:	1443.g
PCN n°:	06G0176 06G0181

MODIFIED / CHANGED PARTS Regarding **Revision I** of May 2007

List of updated tables from this revision:

REMOVED:	1443.g	1444.d
APPLIED:	1443.h	1606
PCN n°:	07G0006	07G0006



HOFMANN USA

309 Exchange Ave. Conway, AR 72032 Phone 800-251-4500 Fax 501-450-2085

www.hofmann-usa.com

HOFMANN BALANCING TECHNIQUES LTD. CANADA

6500 Millcreek Dr. Mississauga, Ontario L5N 4G4 Phone 800-267-2185 Fax 905-821-2073

www.hofmann.ca

Rev.1